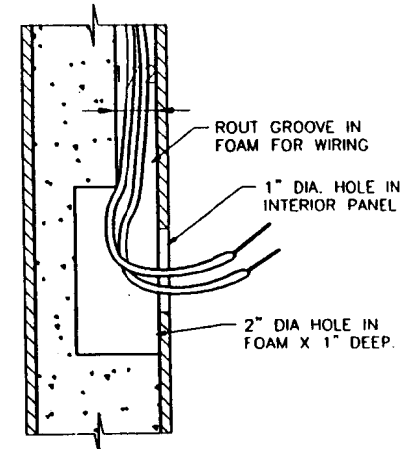
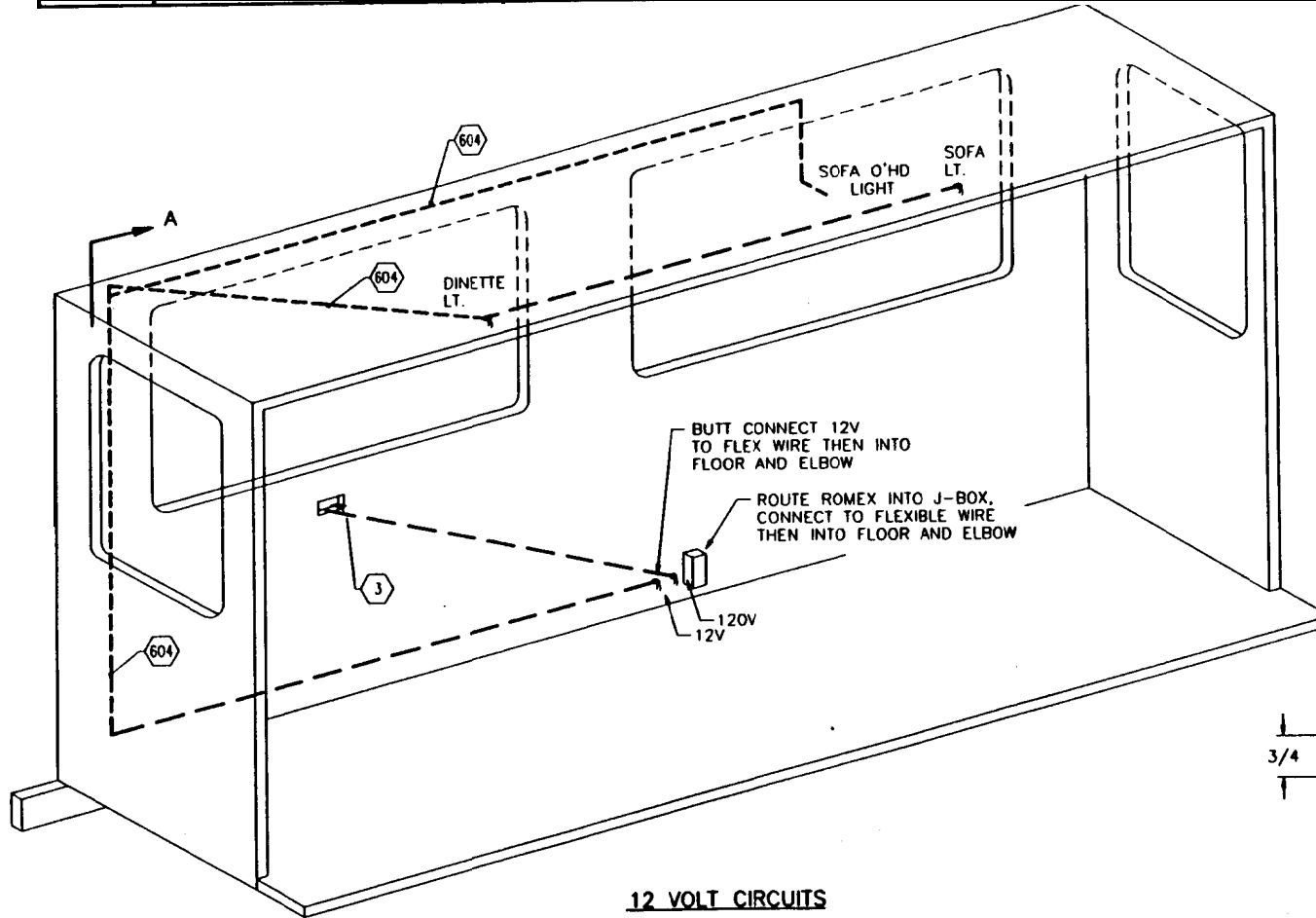
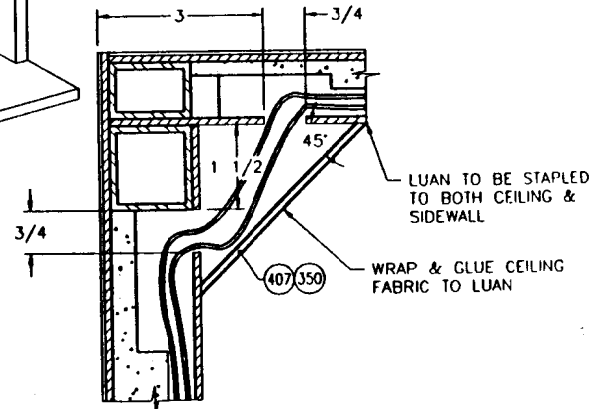


D.C. RELEASE	DESCRIPTION	DATE	BY	SCALE: 3/4" = 1'-0"	USED ON:	<b>FLEETWOOD</b>	TRUCK NO. 721-15-21519
				DRAWN: Brian I.	DATE 04-28-98	RECREATIONAL VEHICLE GROUP	SHEET 9 OF 10
				PROJECT: 99721301		TITLE: SLIDE-OUT BOX	
99-01		05-04-98	JB	PLOT: 05/04/98 09:08:14 01bergei	AUX: RVP	ROUT-OUTS	



SECTION B  
SCALE: 9" = 1'-0"



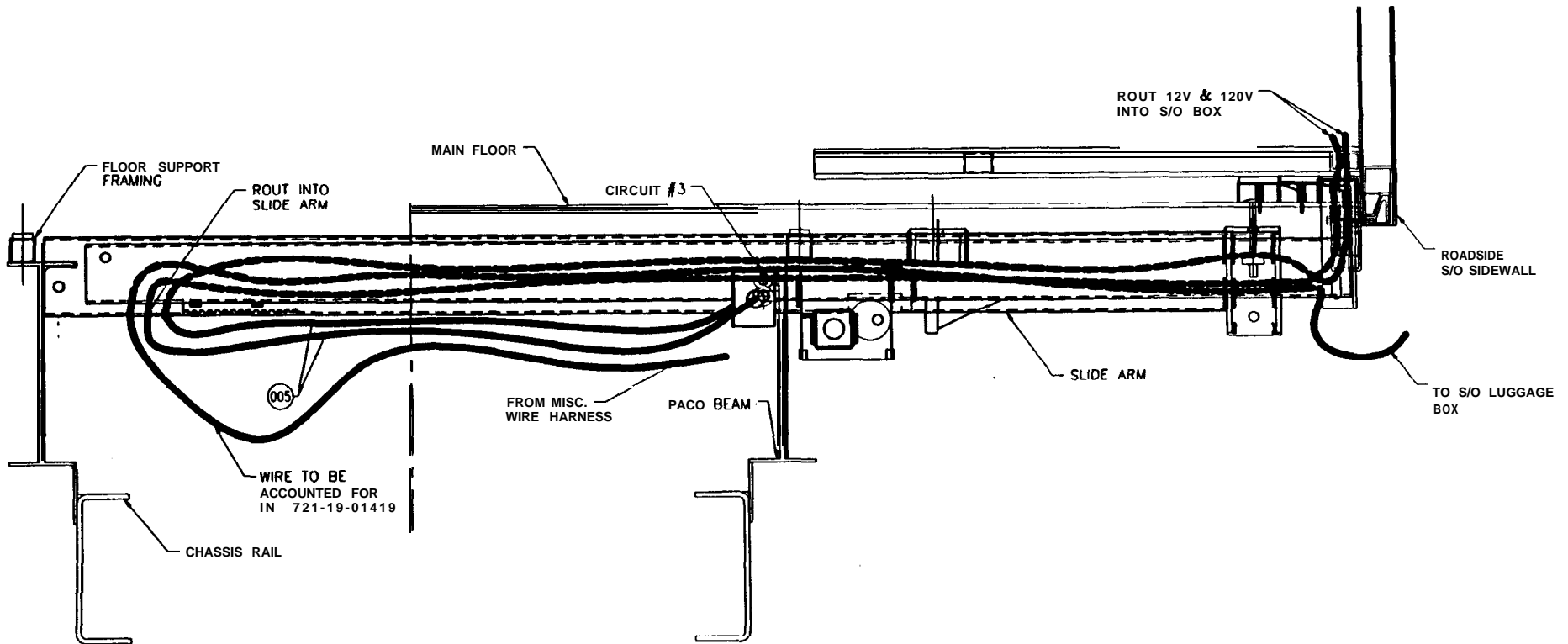
SECTION A  
SCALE: 6" = 1'-0"

**12 VOLT CIRCUITS**

- (604) 20 AMP-LIGHTS: LIVING AREA      12 GA. BROWN
- (3) 15 AMP RECEPT: DINETTE          14 GA. ROMEX

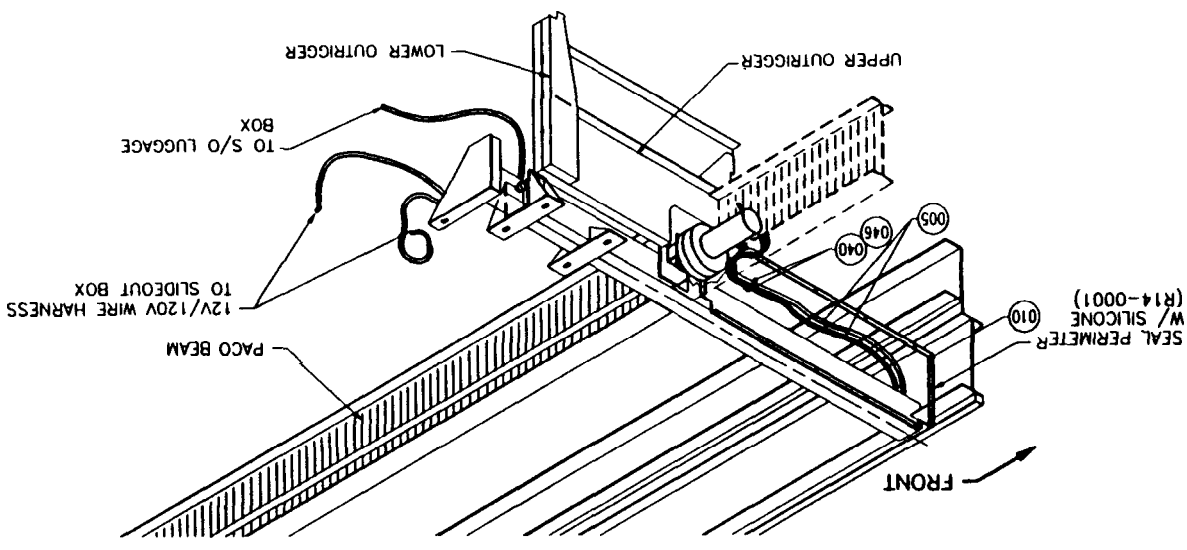
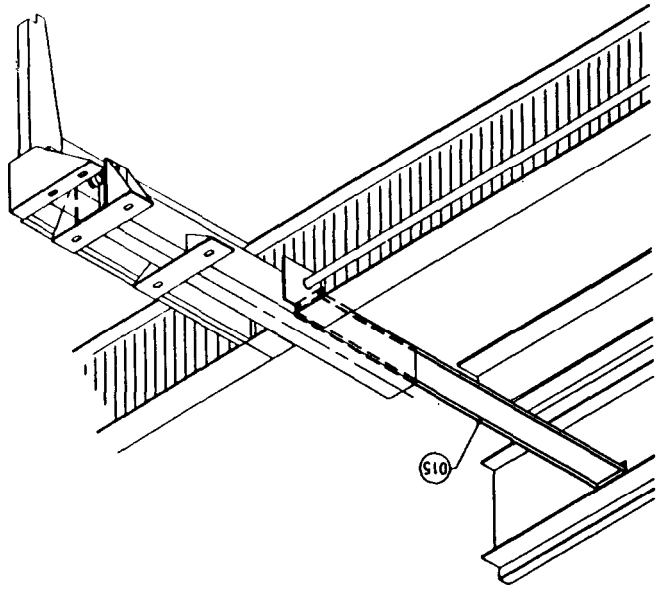
2.43

D.C. RELEASE	DESCRIPTION	DATE	BY	SCALE: 2 1/2" = 1'-0"	USED ON:	<b>S</b>	<b>FLEETWOOD</b> PAGE No. 721-19-04819 RECREATIONAL VEHICLE GROUP SHEET 1 OF 4 TITLE: J-BOX DETAILS ● SLIDEOUT
99-00		03/26/98	DM	DRAWN: Brian T. DATE: 03-24-98			
99-02	REVISED & REDRAWN	06-26-98	SA	PROJECT: 99721302			
				PLOT: 06/26/98 09:12:22 01azizis	AUX: #5		



NOTES:

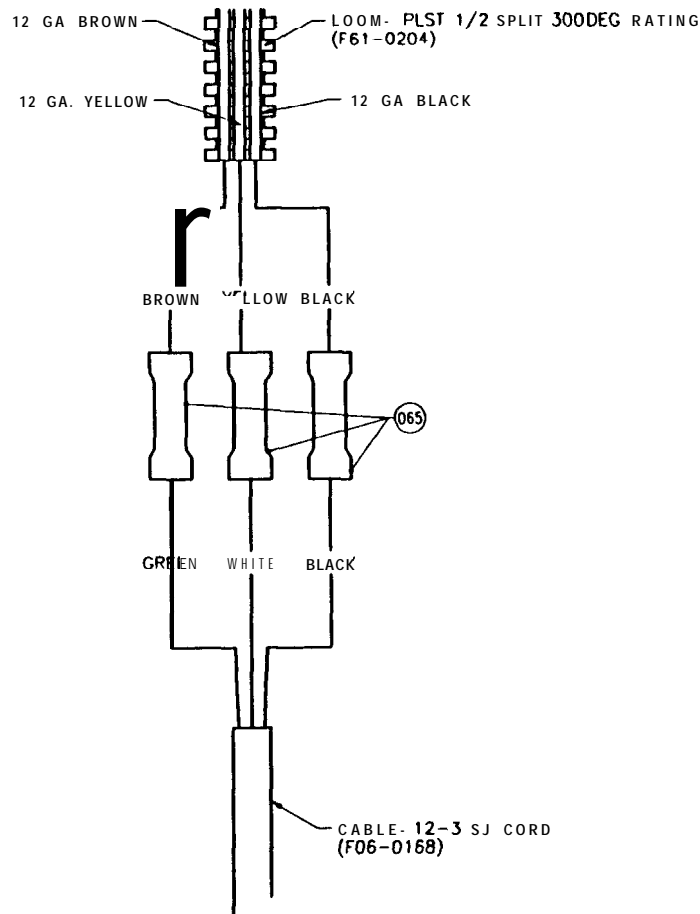
1. DRILL (2) 3/16 DIA HOLES IN J-BOX AND MOUNT TO SURFACE USING SCREW- SHTML #8 x 5/8 (M59-0804)



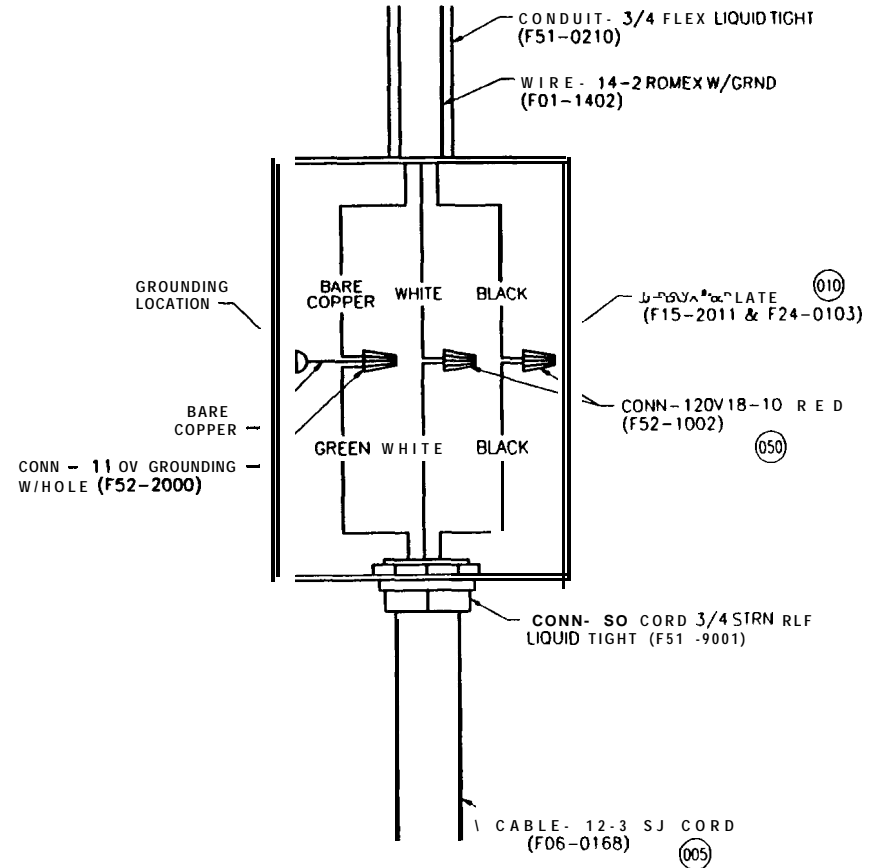
D.C. RELEASE	DESCRIPTION	DATE	BY	SCALE	USED ON:
				1/4"	
		DATE: 03-24-98	DRAWN BY: Brian T.		
		PROJECT: 99721302			
99-02	REVISED 4 REDRAWN	06-26-98 SA	PLT	06/26/98 08:56:52 01dz:is	AUX: 0

**FLEETWOOD**  
 RECREATIONAL VEHICLE GROUP  
 SHEET 2 OF 4  
 TITLE: J-80X DETAILS @ SLIDEOUT  
 NO: 721-19-04819

D.C. RELEASE	DESCRIPTION	DATE	BY	SCALE: 9" = 1'-0"	USED ON:	<b>FLEETWOOD</b> PAGE No. 721-19-04819 RECREATIONAL VEHICLE GROUP SHEET 3 OF 4 TITLE: J-BOX DETAILS ● SLIDEOUT
99-00		03/26/98	DM	DRAWN: Brian T. DATE: 03-24-98 PROJECT: 99721302		
99-02		06-24-98	SA	PLOT: 06/24/98 14:58:45 01azizis	AUX: N/A	



**12V ELECTRICAL**  
(TYP. BOTH BOXES)



**120V ELECTRICAL**  
(TYP. BOTH BOXES)